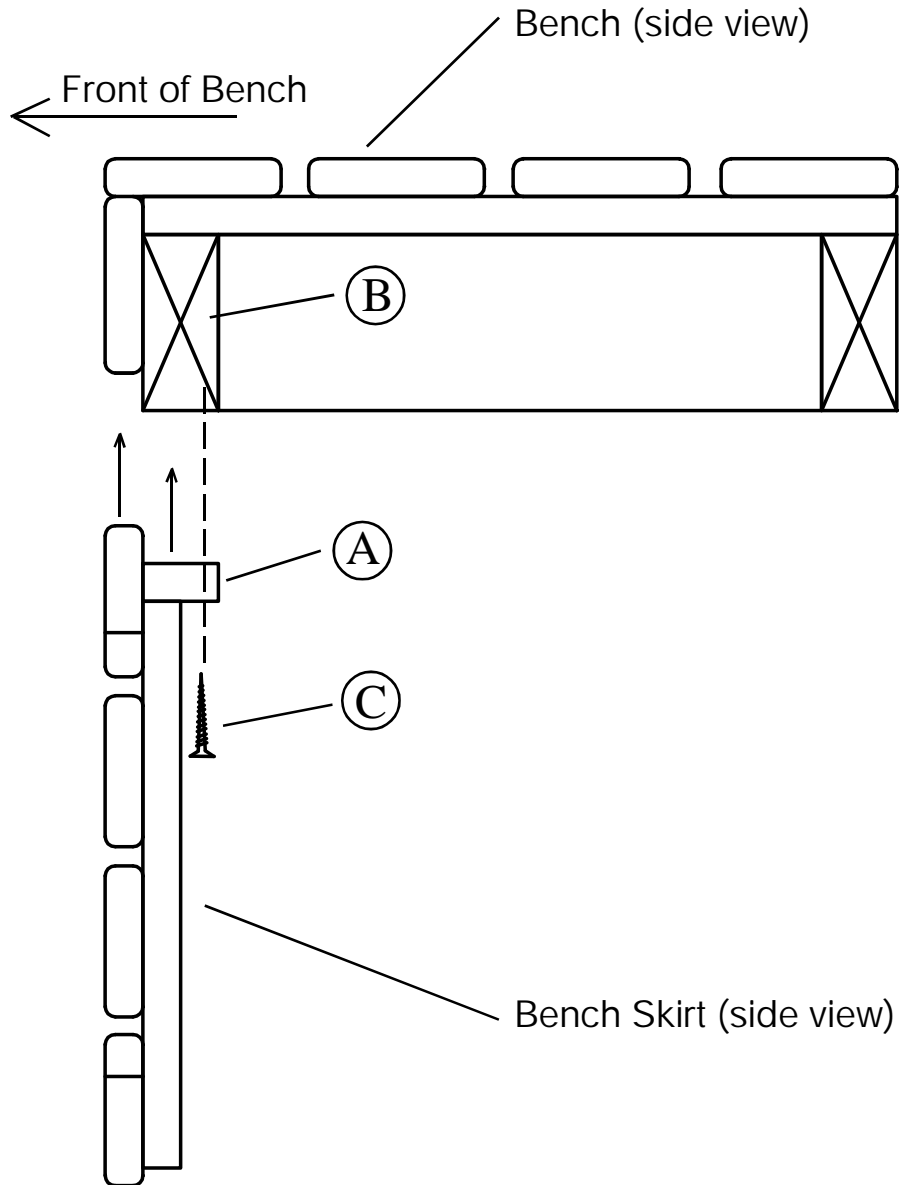


Bench Skirt Addition

(MOUNTING INSTRUCTIONS)



1. Place bench skirt into position on bench. Make sure mounting board (A) butts up directly to 2"x4" bench frame (B)
2. Use supplied (stainless steel) screws (C) and pre-drilled holes to screw bench skirt onto bench. Use all pre-drilled holes.